

MRHLED Mini Indoor LED Remote Head



Project:	
Type:	
Catalog #:	



ILLUMINATION

- Adjustable, long lasting, efficient, ultra bright white LED lamp heads.
- One, 0.5W white LED per lamp head.
- Unique all-inclusive lamp, diffuser and lens assembly.

ELECTRICAL

- Powered from low voltage power source with low voltage wiring (not provided).

MOUNTING

- Universal mounting adapter plate included with mounting hardware.
- Distance of maximum run is determined by system voltage, wire gauge and total maximum wattage on the run.
- Suitable for wall or ceiling mount.

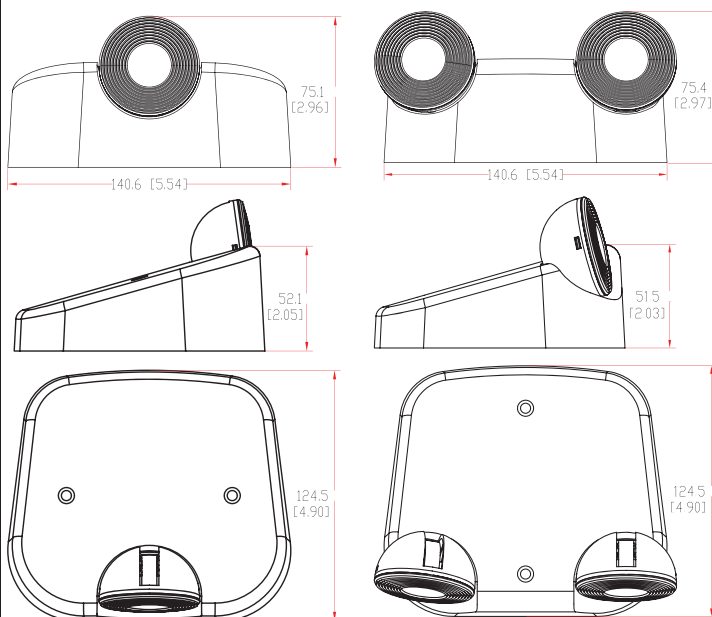
HOUSING

- Injection-molded, engineering grade, 5VA flame retardant, high-impact resistant, thermoplastic in white or black finish.

WARRANTY / LISTING

- Five year warranty.
- UL Listed with approved Best Lighting Products.
- Meets UL924, NFPA 101 Life Safety Code, NEC, OSHA, Local and State Codes.

DIMENSIONS



FIXTURE COMPATIBILITY CHART

Reference individual unit equipment specification sheets for remote load capacity availability.

MODEL TYPE	3.6V
CKXTEU-RC	X
EM-RC	X
CEM-RC	X
E-1-RC	X
CEU-RC	X

ORDERING INFORMATION

Sample Part Number: **MRHLED-1-3.6V**

MODEL	No. of HEADS	HOUSING COLOR	VOLTAGE	LAMP TYPE ¹
MRHLED	1 Single Head	(blank) White	3.6V For use with 3.6V batteries	(blank) 1 LED 0.5W
	2 Double Head	B Black		

Notes:

1. Wattage rating stated per head.