

RHLED LED Indoor Thermoplastic Remote Head



Project:	
Type:	
Catalog #:	



STANDARD



ILLUMINATION

- Long lasting, efficient, ultra bright white LED lamp heads.
- 1.0 watt (8 LEDs x 0.125 watt) per head.
- High performance chrome-plated metalized reflector and plastic lens for optimal light distribution.
- Adjustable LED lamp heads provide optimal center-to-center spacing.
- Optional high lumen heads are 1.5 watts (12 LEDs x 0.125 watt per head) and provide increased center-to-center spacing.

ELECTRICAL

- Powered from low voltage power source with low voltage wiring (not provided).

MOUNTING

- Universal mounting adapter plate included. Mounts to single-gang switch box.
- Distance of maximum run is determined by system voltage, wire gauge and total maximum wattage on the run.
- Suitable for wall or ceiling mount.

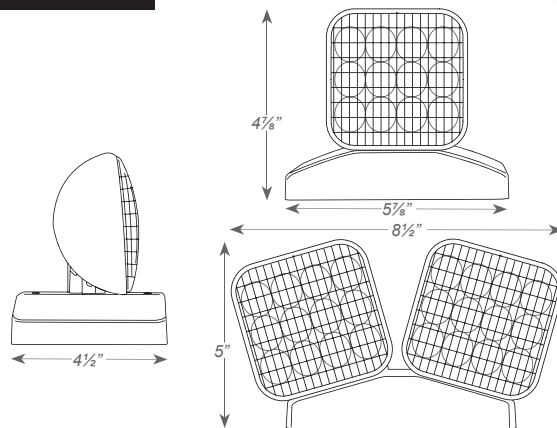
HOUSING

- Injection-molded, engineering grade, 5VA flame retardant, high-impact resistant, thermoplastic in white or black finish.

WARRANTY / LISTING

- Five year warranty.
- UL Listed or damp locations (0°C – 50°C).
- Meets UL924, NFPA 101 Life Safety Code, NEC, OSHA, Local and State Codes.

DIMENSIONS



FIXTURE COMPATIBILITY CHART

Reference individual unit equipment specification sheets for remote load capacity availability.

BEST LIGHTING MODEL TYPE		
CADXR	CALEDCXTE-RC	CAR
CEM-RC	CEU-RC	CKXTEU-RC
CLPU	CWLEZXE-RC	DXR
E-1-RC	EM-RC	LESDXR627
LEDTFX-2	NYDXR	RMCLPU-RC
RMLEDCXTE-RC	RMR-16-65/125	

ORDERING INFORMATION

Sample Part Number: RHLED1-MV

MODEL	No. of HEADS	OPTIONS		VOLTAGE	COLOR		LAMP TYPE ¹		
RHLED	1	Single Head	(blank)	MV	For Use With 3.6V, 6V, 9.6V & 12V DC Power Source	(blank)	White	(blank)	8 LEDs 1W
	2	Double Head	SDT			B	Black	HL	12 LEDs 1.5W

¹ Wattage rating stated per head.