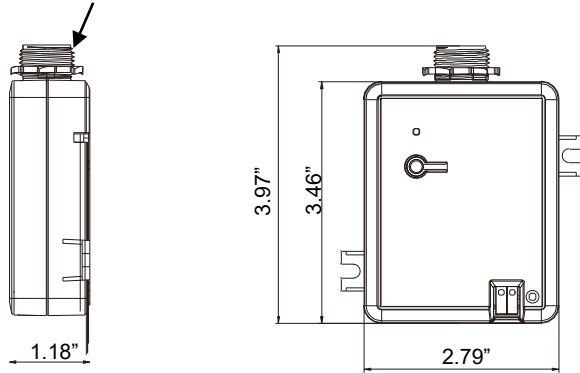


FEATURES

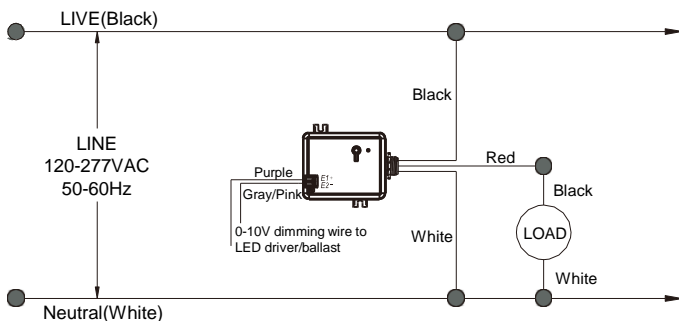
- 120-277V, 50-60Hz
- Standby Power 0.6W
- Max Current 10A
- Max Power 1200W
- Rated for Indoor use only
- RF Range of 30m

LINE DRAWING

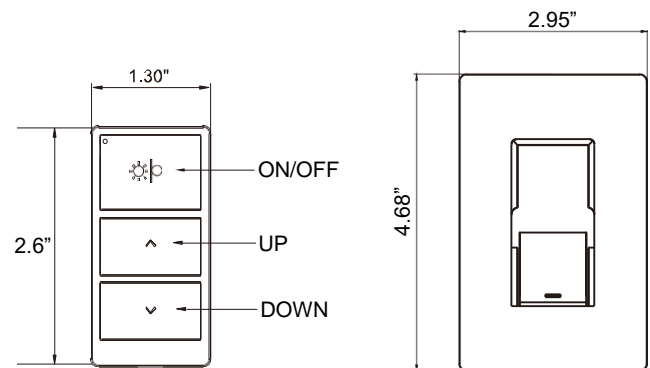
1/2" trade-size



WIRING SCHEMATIC



Housing mounts into standard 1/2" knockout on lighting fixture or junction box.
Wire feed through knockout for connection inside lighting fixture or junction box.



Remote requires a CR2032 battery. The battery is not included.

QUICK SET UP

1. Push PAIR on the Power Pack 0-10V dimming module
2. Push ON/OFF button for 3s to PAIR with dimming module. You will hear a beep to indicate the controller has linked.
3. Try the buttons to confirm the remote has paired.

ORDERING INFORMATION

MODEL	DESCRIPTION
PPA401S*	RF FREQUENCY CONTROL MODULE
WP4013**	RF REMOTE FOR CONTROL MODULE

* Control Module requires a remote.

** A single remote can be used with multiple Control Modules.