

<b>Project:</b>	
<b>Type:</b>	
<b>Catalog #:</b>	



**STANDARD**



**ILLUMINATION**

- Ultra-bright, energy efficient, long-lasting white LEDs provide uniform illumination.
- UV stabilized, silk screened acrylic panels provide consistent, uniform illumination.

**ELECTRICAL**

- Dual 120V/277 voltage.
- Charge rate/power "ON" LED indicator light and push to test switch for mandated code compliance testing.
- 4.8V Long-life, maintenance-free, rechargeable NiCd battery (EM models only).
- Internal solid-state transfer switch automatically connects the internal battery to LED board for minimum 120-minute emergency illumination.
- Fully automatic solid-state, two-rate charger initiates battery charging to recharge a discharged battery in 24 hours.

**MOUNTING**

- Die-cast aluminum mounting canopy provided for universal top, end or back mount.

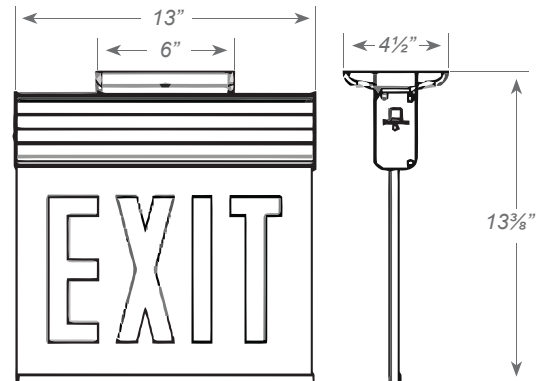
**HOUSING**

- Premium-grade, extruded aluminum housing (also available in optional white powder-coated finish).
- Single or double face configurations.

**WARRANTY / LISTING**

- Five year warranty on all electronics and housing. Battery prorated for five years.
- UL listed for damp locations (0° – 50°C).
- Meets UL924, NFPA101 Life Safety Code, NEC, OSHA, Local and State Codes.
- Meets city of Chicago requirements.
- Certified to CEC under Title 20 Regulations.

**DIMENSIONS**



**ORDERING INFORMATION**

Sample Part Number: CAELXTEU1RWAEM-NA

MODEL	No. of FACES	LETTER	HOUSING	BATTERY	SIGNAGE / DIRECTIONAL ARROWS
CAELXTEU	1 Single Face	RW Red On White	A Aluminum	(blank) AC-Only	-NA Exit No Arrow
	2 Universal Single/Double Face		W White	EM Battery Backup	-S-NA Stair No Arrow -DA Exit Double Arrow -S-DA Stair Double Arrow -RA <sup>1</sup> Exit Right Arrow -S-RA <sup>1</sup> Stair Right Arrow -LA <sup>1</sup> Exit Left Arrow -S-LA <sup>1</sup> Stair Left Arrow -LARA <sup>2</sup> Exit Left/Right Arrow -S-LARA <sup>2</sup> Stair Left/Right Arrow

<sup>1</sup> Available in single face configuration only.

<sup>2</sup> Available in double face configuration only.

<b>Project:</b>	
<b>Type:</b>	
<b>Catalog #:</b>	

## ELECTRICAL INFORMATION

Catalog Number	Input Watts (W)		Input Amps (A)	
	120V	277V	120V	277V
AC Model	4.3	4.7	0.04A	0.02A
EM Model	4.3	4.7	0.04A	0.02A

## ARROW CONFIGURATION

