

|                   |  |
|-------------------|--|
| <b>Project:</b>   |  |
| <b>Type:</b>      |  |
| <b>Catalog #:</b> |  |

### STANDARD



Wall Mount option is shown in image below.



### ILLUMINATION

- Ultra-bright, energy efficient, long-lasting white LEDs provide uniform illumination.
- UV stabilized, silk screened acrylic panels provide consistent, uniform illumination.

### ELECTRICAL

- Dual 120V/277 voltage.
- Charge rate/power "ON" LED indicator light and push-to-test switch for mandated code compliance testing.
- 4.8V Long-life, maintenance-free, rechargeable NiCd battery (EM models only).
- Internal solid-state transfer switch automatically connects the internal battery to LED board for minimum 120-minute emergency illumination.
- Fully automatic solid-state, two-rate charger initiates battery charging to recharge a discharged battery in 24 hours.

### MOUNTING

- Compatible with drywall or drop-thru ceiling mount installations.
- Wall mount capability optional.

### HOUSING

- Premium-grade, extruded aluminum housing.
- Extruded aluminum trim assembly is easily detachable, providing accessibility for service or maintenance. Also available in optional white finish.
- Single or double face configurations.

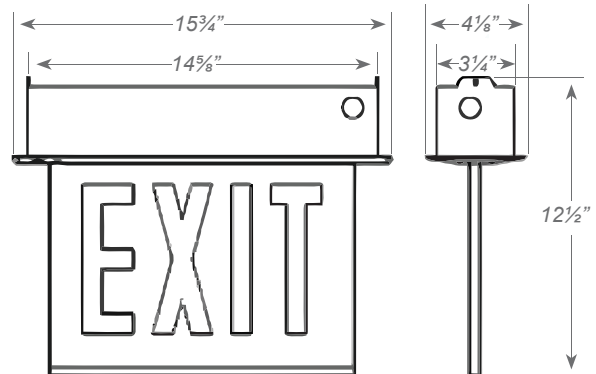
### OPTIONS

- WM: Wall mount.

### WARRANTY / LISTING

- Five year warranty on all electronics and housing. Battery prorated for five years.
- UL listed for damp locations (0° – 50°C).
- Meets UL924, NFPA101 Life Safety Code, NEC, OSHA, Local and State Codes.
- Meets city of Chicago sign and plenum requirements.
- Certified to CEC under Title 20 Regulations.

### DIMENSIONS



CARELZXTE

### ORDERING INFORMATION

Sample Part Number: CARELZXTE1RWAEM-NA

| MODEL     | No. of FACES  | LETTER          | TRIM PLATE        | BATTERY              | SIGNAGE / DIRECTIONAL ARROWS                | OPTIONS                    |
|-----------|---------------|-----------------|-------------------|----------------------|---|----------------------------|
| CARELZXTE | 1 Single Face | RW Red On White | A Aluminum        | (blank) AC-Only      | -NA Exit No Arrow                           | WM Wall Mount <sup>1</sup> |
|           | 2 Double Face | W White         | EM Battery Backup | -S-NA Stair No Arrow | -DA Exit Double Arrow                       |                            |
|           |               |                 |                   |                      | -S-DA Stair Double Arrow                    |                            |
|           |               |                 |                   |                      | -RA <sup>1</sup> Exit Right Arrow           |                            |
|           |               |                 |                   |                      | -S-RA <sup>1</sup> Stair Right Arrow        |                            |
|           |               |                 |                   |                      | -LA <sup>1</sup> Exit Left Arrow            |                            |
|           |               |                 |                   |                      | -S-LA <sup>1</sup> Stair Left Arrow         |                            |
|           |               |                 |                   |                      | -LARA <sup>2</sup> Exit Left/Right Arrow    |                            |
|           |               |                 |                   |                      | -S-LARA <sup>2</sup> Stair Left/Right Arrow |                            |

<sup>1</sup> Available in single face configuration only.

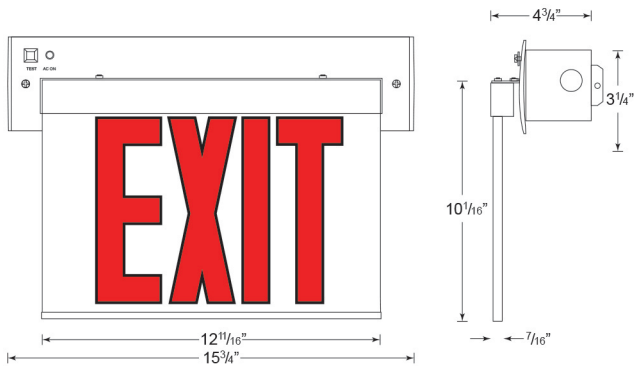
<sup>2</sup> Available in double face configuration only.

|                   |  |
|-------------------|--|
| <b>Project:</b>   |  |
| <b>Type:</b>      |  |
| <b>Catalog #:</b> |  |

### ELECTRICAL INFORMATION

| Catalog Number | Input Watts (W) |      | Input Amps (A) |       |
|----------------|-----------------|------|----------------|-------|
|                | 120V            | 277V | 120V           | 277V  |
| AC Model       | 4.3             | 4.7  | 0.040A         | 0.02A |
| EM Model       | 4.5             | 4.9  | 0.042A         | 0.02A |

### WALL MOUNT DIMENSIONS



### ARROW CONFIGURATION

