

CALEDCXTEU

Chicago Approved Steel LED Exit & Emergency Combo



Project:	
Type:	
Catalog #:	

STANDARD



OPTIONAL

ILLUMINATION

- Long lasting, energy efficient white LED exit sign illumination.
- Single or double face configuration.
- Two 6V 5.3W adjustable white LED lamp heads.

ELECTRICAL

- Dual 120/277 voltage standard.
- Charge rate/power "ON" LED indicator light and push-to-test switch for mandated code compliance testing.
- 6V sealed lead acid, maintenance-free, rechargeable battery.
- LVD (low voltage disconnect) prevents battery from deep discharge.
- Internal solid-state transfer switch automatically connects the internal battery to LED board and LED lamp heads for minimum 120 minute emergency illumination.
- Fully automatic solid-state, two rate charger initiates battery charging to recharge a discharged battery in 24 hours.

MOUNTING

- Mounting canopy included for top or end mount.
- Universal K/O pattern on back plate for wall mount.

HOUSING

- Durable 20-gauge steel construction.
- White or black finish.



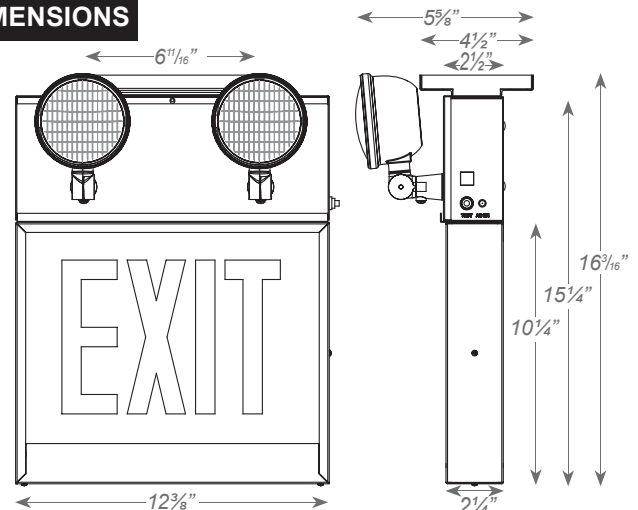
OPTIONS

- RC: Remote capacity of up to 10.0 watts.

WARRANTY / LISTING

- Five year warranty on all electronics and housing. Battery prorated for two years.
- Meets UL924, NFPA 101 Life Safety Code, NEC, OSHA, Local and State Codes.
- UL Listed for damp locations (20°C – 50°C).

DIMENSIONS



ORDERING INFORMATION

Sample Part Number: CALEDCXTEU-1-R-W-NA

MODEL	No. of FACES	LETTER		HOUSING		OPTIONS		DIRECTIONAL ARROW				
		R	Red	W	White	RC	Remote Capacity	NA	Exit No Arrow	SW-LA ¹	Stairs Left Arrow	
CALEDCXTEU	1	Single Face			W	White	RC	Remote Capacity	DA	Exit Double Arrow	SW-NA	Stairs No Arrow
	2	Universal Single/Double Face			B	Black			RA ¹	Exit Right Arrow	SW-DA	Stairs Double Arrow
									LA ¹	Exit Left Arrow	SW-RA ¹	Stairs Right Arrow
									LARA ²	Exit Left/Right Arrow	SW-LARA ²	Stairs Left/Right Arrow

NOTES:

- ¹ Available in single face configuration only.
- ² Available in double face configuration only.

Project:	
Type:	
Catalog #:	

ELECTRICAL INFORMATION

CATALOG NUMBER	INPUT WATTS (W)		INPUT AMPS (A)	
	120V	277V	120V	277V
CALEDCXTEU	12	13	0.12A	0.06A
CALEDCXTEU-RC	12	13	0.12A	0.06A

REMOTE LAMP COMPATIBILITY

MODEL NUMBER	BATTERY	REMOTE CAPACITY	COMPATIBLE REMOTE HEAD FAMILY												
			RHLED			RH16LED	RH16		RH		RHR		SRH		SRHLED
			3.6V	9.6V	MV		6V	12V	6V	12V	6V	12V	6V	12V	
CALEDCXTEU-RC	6V	10W			X	X	X		X		X		X		X