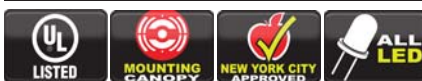


Project:	
Type:	
Catalog #:	



STANDARD



ILLUMINATION

- Ultra bright, energy efficient, long life Red LED.
- New York City compliant 8" EXIT letters.

ELECTRICAL

- Dual 120/277 voltage.
- Charge rate/power "ON" LED indicator light and push-to-test switch for mandated code compliance testing.
- 3.6V long life, maintenance-free, rechargeable NiCd battery.
- Internal solid-state transfer switch automatically connects the internal battery to LED board for minimum 90-minute emergency illumination.
- Fully automatic solid-state, two rate charger initiates battery charging to recharge a discharged battery in 24 hours.

MOUNTING

- Aluminum mounting canopy included for top or end mount.
- Universal K/O pattern on back plate for wall mount.
- Top and side K/O provided for conduit feed applications.

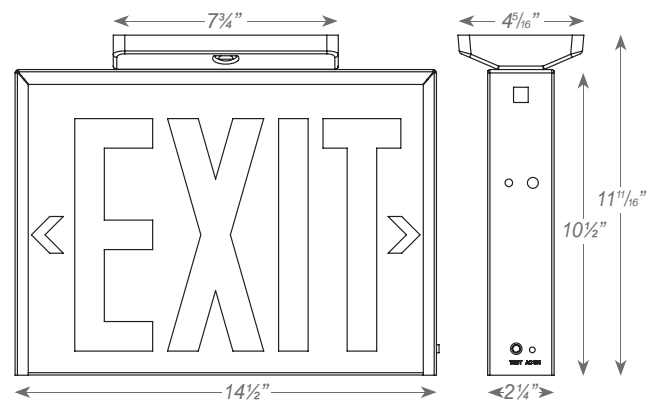
HOUSING

- Durable, powder-coated 20-gauge steel construction in white or black finish.
- Unique design allows double face conversion in the field.
- Field removable steel knockout chevron directional indicators.

WARRANTY / LISTING

- Five year warranty on all electronics and housing. Battery prorated for five years.
- Meets UL924, NFPA 101 Life Safety Code, NEC, OSHA, Local and State Codes.

DIMENSIONS



ORDERING INFORMATION

Sample Part Number: **NYXTEU-3-R-W-EM**

MODEL	No. of FACES	LETTER COLOR	HOUSING COLOR	BATTERY
NYXTEU	1 Single Face	R Red	W White	Blank AC Only
	2 Double Face		B Black	EM Battery Backup
	3 Universal Single/Double Face			

Project:	
Type:	
Catalog #:	

ELECTRICAL INFORMATION

CATALOG NUMBER	INPUT WATTS (W)		INPUT AMPS (A)	
	120V	277V	120V	277V
NYXTEU/EM	5.0	5.0	0.041	0.018