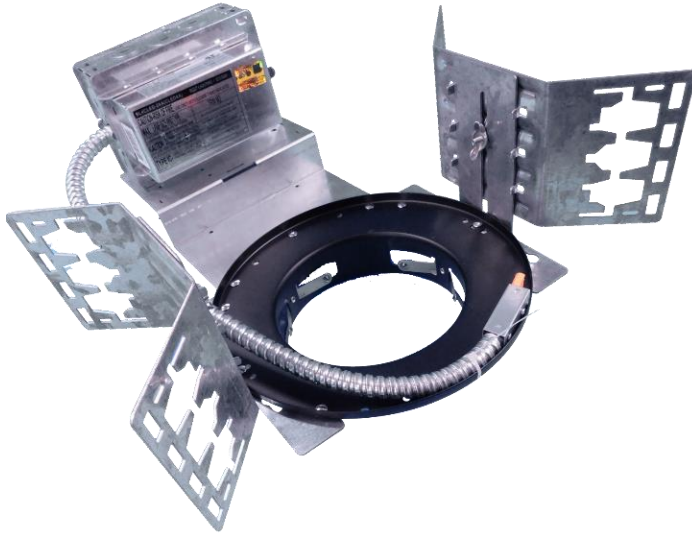


4" Architectural Frame & Trim Set



FRAMES



FEATURES

- Flat bar hangers available for ceiling grid mounting (order separately).
- Junction box is mounted on frame for easy wiring and driver access.
- Integral heat sink for heat disbursement.
- Tapered aluminum reflector with frosted lens.
- Input voltage = 120-277V (50-60Hz).
- Wattage = 21W (3000k) or 28W (4000k)
- 0-10V dimming.

TRIMS



FEATURES

- Available in 3000k (warm white) and 4000k (neutral white) color temperatures.*
- Long-life LEDs provide at least 70% of initial lumen output (L_{70}) for 50,000 hours of operation.**
- Provides up to 1,940 nominal lumens.
- Color rendering index (R_a) > 80.

* Contact factory for other color temperatures and lumen packages.
** L_{70} hours are IES TM-21-11 calculated hours.

WARRANTY & LISTINGS

- cULus listed for damp and wet locations.
- Energy Star qualified.
- Title 24 compliant.
- Complies with RoHS (Restriction on Hazardous Substances) requirements.
- 5-year warranty of all electronics and housing.

STANDARD



4" Architectural Frame & Trim Set



ORDERING INFORMATION - Frames

MODEL	DESCRIPTION
BL4CLED-21A	4" FRAME, 21 WATTS, FOR USE WITH BL4TCLD-21HZ-3K
BL4CLED-28A	4" FRAME, 28 WATTS, FOR USE WITH BL4TCLD-28HZ-3K

ORDERING INFORMATION - TRIMS

MODEL	DESCRIPTION
BL4TCLD-21HZ-3K	4" TRIM, 3000K, 1,590 LUMENS, FOR USE WITH BL4CLED-21A
BL4TCLD-28HZ-4K	4" TRIM, 4000K, 1,940 LUMENS, FOR USE WITH BL4CLED-28A

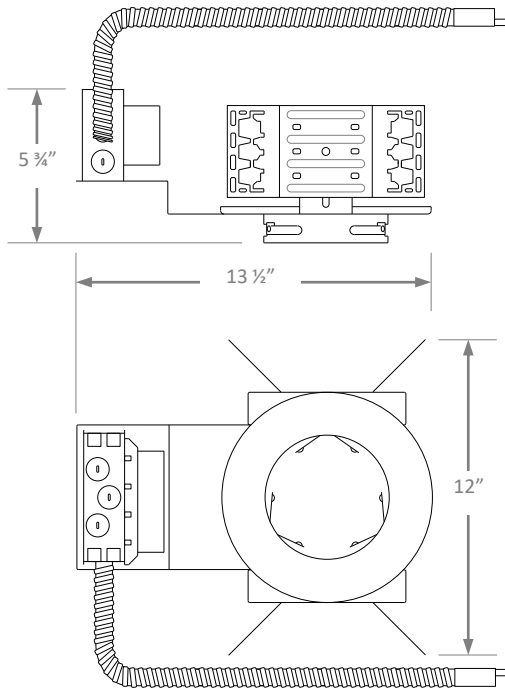
ACCESSORIES

MOUNTING ACCESSORIES

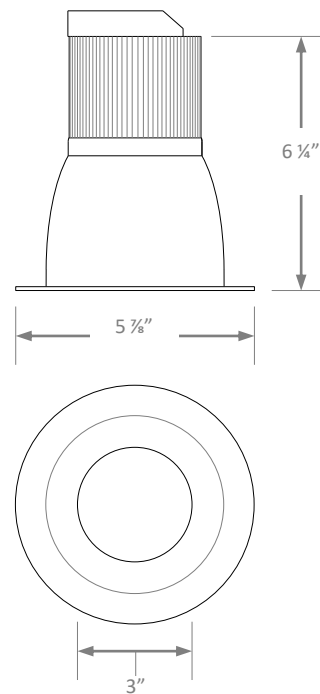
ZZ-BARHANGER-ARCHCAN-FLAT27"	FLAT BAR HANGER - 27", FOR ARCHITECTURAL CANS
------------------------------	---

DIMENSIONS

BL4CLED-21A
BL4CLED-28A



BL4TCLD-21HZ-3K
BL4TCLD-28HZ-4K



ZZ-BARHANGER-
ARCHCAN-FLAT27"

