

BL9ICN 6" LED Dedicated Cans



Project:	
Type:	
Catalog #:	

STANDARD



FEATURES

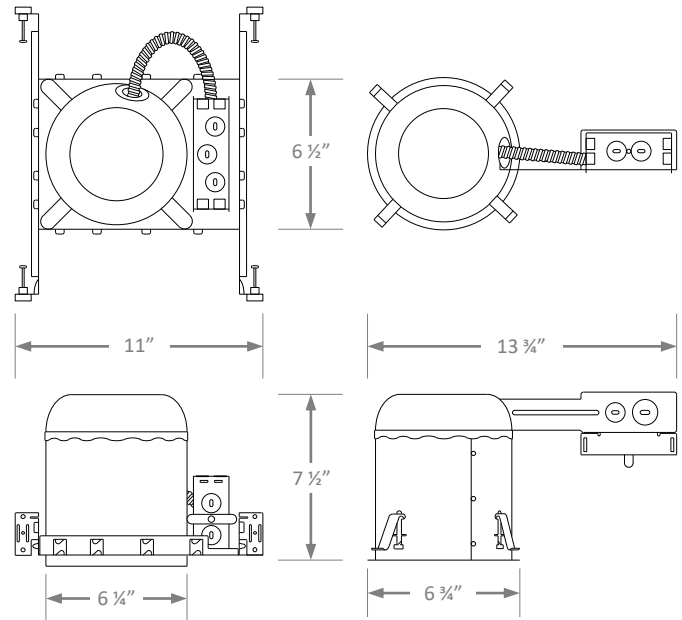
- Dedicated housings for 6" LED trims (BRK-LED56-BW, BRK-LED56-BW-V2, and BRK-LED56-GR series).
- Suitable for new construction or remodel applications.
- Galvanized steel construction.
- New construction model comes standard with nail for easy install.
- Bar hangers for use with new construction models are adjustable from 13.6" to 25" and can be positioned up to 90°.
- Remodel cans install into existing material with no above ceiling access required.
- Remodel cans come standard with four torsion clips to secure housing – accommodates 0.5" and 0.6" ceilings.
- Contains one 1.1" and six 0.9" knockouts and four romex pry-outs with strain relief.
- 2-pin snap-in connector for easy connection to LED trims.
- This device is not intended for use with emergency exits.

WARRANTY & LISTINGS

- cULus listed Type IC for damp locations.
- Listed for through-branch wiring.
- Title 24 compliant.
- Energy Star qualified.
- 5-year warranty of all electronics and housing.



DIMENSIONS



ORDERING INFORMATION

MODEL	DESCRIPTION
BL9ICLED-NND	6" IC LED DEDICATED CAN FOR NEW CONSTRUCTION
BL9ICLED-RND	6" IC LED DEDICATED CAN FOR REMODEL APPLICATIONS