

BVTPLED Series Vapor Tight Luminaire



Project:	
Type:	
Catalog #:	

STANDARD



The BVTPLED is a surface-mounted LED luminaire, which is designed to prevent the intrusion of moisture and dust. The BVTPLED provides general ambient lighting in commercial and industrial settings, and is the perfect choice for both new construction and retrofits. This high-efficacy luminaire provides long-life and uniform illumination, as well as standard 0-10vdc dimming capability.

FEATURES

- Available in 3500k (warm/neutral white), 4000k (neutral white) and 5000k (cool white) color temperatures.*
- Long-life LEDs provide at least 89,000 hours of operation with at least 70% of initial lumen output (L_{70}).**
- BVTPLED-35 provides 4,244 luminaire lumens (125 LPW) at 3500k; 4,550 luminaire lumens (130 LPW) at 4000k; and 4,585 luminaire lumens (131 LPW) at 5000k.*
- BVTPLED-40 provides 4,793 luminaire lumens (120 LPW) at 3500k; 5,200 luminaire lumens (130 LPW) at 4000k; and 5,240 luminaire lumens (131 LPW) at 5000k.*
- BVTPLED-52 provides 6,469 luminaire lumens (127 LPW) at 3500k; 6,760 luminaire lumens (130 LPW) at 4000k; and 6,812 luminaire lumens (131 LPW) at 5000k.*
- Uniform illumination with no visible LED pixelation.
- Universal 120-277 AC voltage (50-60Hz) is standard.
- 0-10vdc dimming capability is standard.
- Power factor > 0.90.
- Total harmonic distortion < 20%.
- Color rendering index > 80.
- Polycarbonate housing and lens.
- Stainless steel mounting bracket and lens clips are standard.
- Heavy duty wall-mount bracket provides for secure wall and ceiling installation.
- Easy installation in new construction or retrofit.

* Contact factory for other color temperatures and lumen packages.

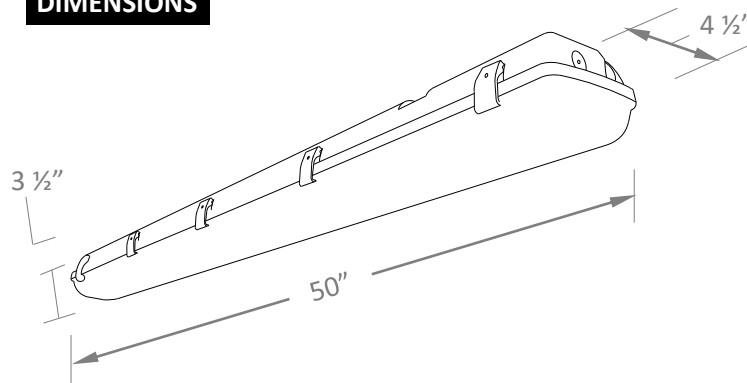
** L_{70} hours are IES TM-21-11 calculated hours.



WARRANTY & LISTINGS

- cULus approved for wet locations (-20° C to 50° C / -4° F to 122° F).
- IP65 rated for ingress protection.
- DLC approved.
- Complies with FCC Part 15, Class A.
- Complies with IEEE C.62.41-1991, input transient protection (2.5kV).
- Complies with RoHS (Restriction on Hazardous Substances) requirements.
- 5-year warranty of all electronics and housing.
- Not suitable for use in car wash applications.

DIMENSIONS



ORDERING INFORMATION

Model	Color Temperature	Luminaire Lumens	Luminaire Watts	Lumens / Watt	Options (Order Separately)
BVTPLED-35-35KMV- ET	3500k	4,244	35	125	MC613VDRC = Internal occupancy sensor
BVTPLED-35-4KMV- ET	4000k	4,550	35	130	
BVTPLED-35-5KMV- ET	5000k	4,585	35	131	BLEDEM-CP-800 = Emergency driver (800 lm)
BVTPLED-40-35KMV- ET	3500k	4,793	40	120	
BVTPLED-40-4KMV- ET	4000k	5,200	40	130	BLEDEM-CP-1200 = Emergency driver (1200 lm)
BVTPLED-40-5KMV- ET	5000k	5,240	40	131	
BVTPLED-52-35KMV- ET	3500k	6,469	52	127	BLEDEM-CP-1600 = Emergency driver (1600 lm)
BVTPLED-52-4KMV- ET	4000k	6,760	52	130	
BVTPLED-52-5KMV- ET	5000k	6,812	52	131	

BVTPLED Series Vapor Tight Luminaire



ELECTRICAL

Model	Color Temp.	CRI ¹	Luminaire Lumens	Luminaire Watts	Lumens Per Watt	Input Voltage ²	Input Current (A)			Power Factor	THD ³	L ₇₀ Hours ⁴
							120V	240V	277V			
BVTPLED-35-35KMV- ET	3500k	> 80	4,244	35	125	120-277	0.28	0.14	0.12	> 90%	< 20%	105,000
BVTPLED-35-4KMV- ET	4000k	> 80	4,550	35	130	120-277	0.29	0.15	0.13	> 90%	< 20%	105,000
BVTPLED-35-5KMV- ET	5000k	> 80	4,585	35	131	120-277	0.29	0.15	0.13	> 90%	< 20%	105,000
BVTPLED-40-35KMV- ET	3500k	> 80	4,793	40	120	120-277	0.33	0.17	0.14	> 90%	< 20%	104,000
BVTPLED-40-4KMV- ET	4000k	> 80	5,200	40	130	120-277	0.33	0.17	0.14	> 90%	< 20%	104,000
BVTPLED-40-5KMV- ET	5000k	> 80	5,240	40	131	120-277	0.33	0.17	0.14	> 90%	< 20%	104,000
BVTPLED-52-35KMV- ET	3500k	> 80	6,469	52	127	120-277	0.43	0.21	0.18	> 90%	< 20%	89,000
BVTPLED-52-4KMV- ET	4000k	> 80	6,760	52	130	120-277	0.43	0.22	0.19	> 90%	< 20%	89,000
BVTPLED-52-5KMV- ET	5000k	> 80	6,812	52	131	120-277	0.43	0.22	0.19	> 90%	< 20%	89,000

¹ Color rendering index.

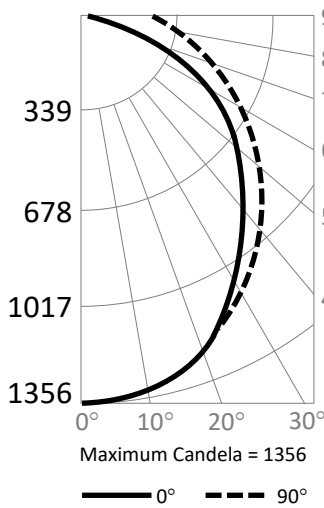
² All 50-60Hz.

³ Total harmonic distortion.

⁴ L₇₀ refers to the number of hours at which lumen output declines to 70% of the initial level. L₇₀ hours are IES TM-21-11 calculated hours.

PHOTOMETRIC DATA

Model: BVTPLED-35-35KMV (4,244 lumens)



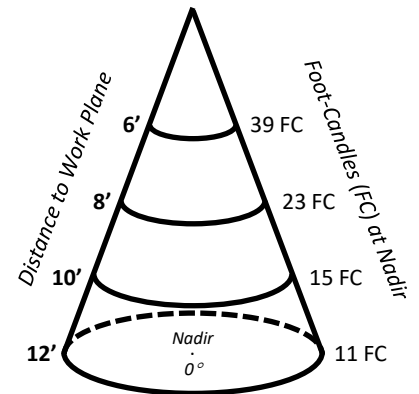
Candlepower Summary

	0°	90°
0°	1,356	1,356
10°	1,326	1,329
20°	1,234	1,242
30°	1,088	1,122
40°	902	987
50°	698	841
60°	493	692
70°	297	540
80°	119	378
90°	17	240

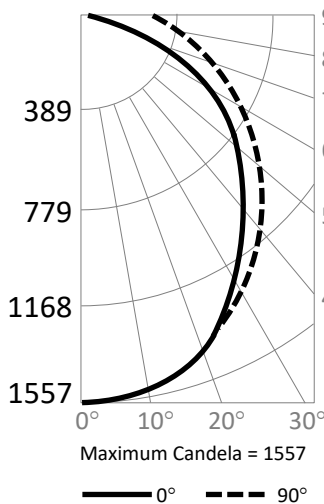
Zonal Lumen Summary

Zone	Lumens	% Fixture
0° – 10°	128	3.0%
0° – 20°	489	11.5%
0° – 30°	1,026	24.2%
0° – 40°	1,661	39.1%
0° – 50°	2,313	54.5%
0° – 60°	2,912	68.6%
0° – 70°	3,403	80.2%
0° – 80°	3,752	88.4%
0° – 90°	3,957	93.2%
90° – 180°	287	6.8%
0° – 180°	4,244	100.0%

Cone of Light



Model: BVTPLED-40-35KMV (4,793 lumens)



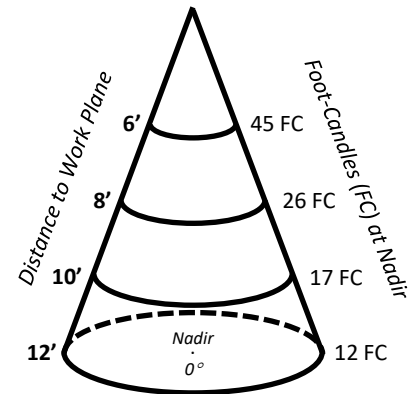
Candlepower Summary

	0°	90°
0°	1,557	1,557
10°	1,521	1,524
20°	1,416	1,413
30°	1,245	1,267
40°	1,027	1,110
50°	788	941
60°	547	772
70°	326	610
80°	131	424
90°	18	259

Zonal Lumen Summary

Zone	Lumens	% Fixture
0° – 10°	147	3.1%
0° – 20°	562	11.7%
0° – 30°	1,176	24.5%
0° – 40°	1,899	39.6%
0° – 50°	2,638	55.0%
0° – 60°	3,311	69.1%
0° – 70°	3,861	80.6%
0° – 80°	4,254	88.8%
0° – 90°	4,486	93.6%
90° – 180°	307	6.4%
0° – 180°	4,793	100.0%

Cone of Light

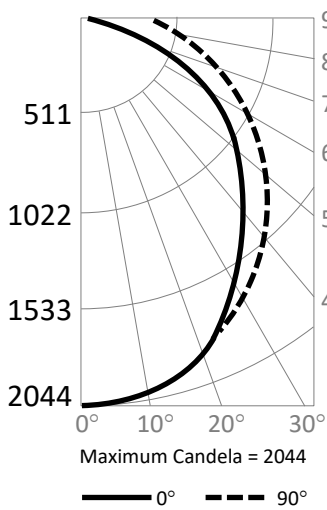


BVTPLED Series Vapor Tight Luminaire



PHOTOMETRIC DATA

Model: BVTPLED-52-35KMV (6,469 lumens)



Candlepower Summary

	0°	90°
0°	2,044	2,044
10°	2,003	2,013
20°	1,867	1,895
30°	1,643	1,701
40°	1,356	1,505
50°	1,030	1,313
60°	709	1,075
70°	415	807
80°	164	546
90°	24	344

Zonal Lumen Summary

Zone	Lumens	% Fixture
0° – 10°	193	3.0%
0° – 20°	743	11.5%
0° – 30°	1,561	24.1%
0° – 40°	2,527	39.1%
0° – 50°	3,521	54.4%
0° – 60°	4,436	68.6%
0° – 70°	5,185	80.1%
0° – 80°	5,713	88.3%
0° – 90°	6,027	93.2%
90° – 180°	442	6.8%
0° – 180°	6,469	100.0%

Cone of Light

