

|            |  |
|------------|--|
| Project:   |  |
| Type:      |  |
| Catalog #: |  |



### STANDARD



### FEATURES

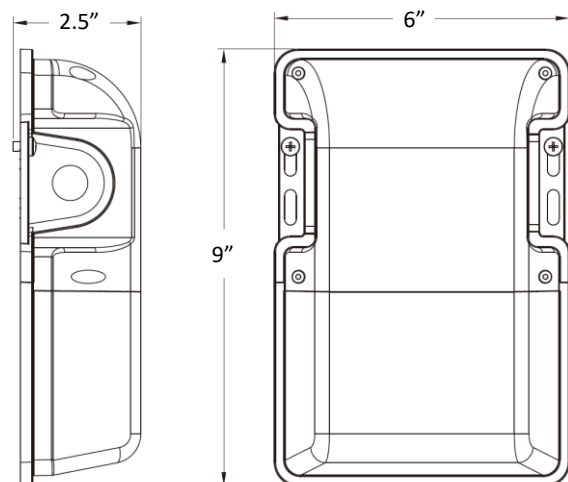
- Field selectable 3000k (warm white), 4000k (neutral white), and 5000k (cool white) color temperatures.\*
- Long-life LEDs provide at least 70% of initial lumen output ( $L_{70}$ ) for  $\geq 156,000$  hours of operation, and at least 90% of initial lumen output ( $L_{90}$ ) for  $\geq 47,000$  hours of operation.\*
- LED chromaticity based on  $\leq 5$ -step ANSI quadrangles.
- LED color maintenance  $\leq 0.003$  chromaticity shift ( $\Delta u'v'$ ) over the initial 6,000 hours of operation.
- Provides a range of 1,900 to 3,300 nominal lumens and 126 to 145 nominal lumens per watt (lm/W).
- 0-10vdc dimming drivers are standard.
- Universal 120-277 AC voltage (50-60Hz) is standard.
- Power factor  $> 0.90$ .
- Total harmonic distortion  $< 20\%$ .
- Color rendering index ( $R_a$ )  $> 80$ .
- Integral photocell is standard.
- Cast aluminum housing with dark bronze, powder coat finish.
- Diffused polycarbonate lens.
- One  $\frac{1}{2}$ " NPT threaded opening.
- Easy installation in new construction or retrofit applications.

\* Contact factory for other color temperatures and lumen packages.  
 \*\*  $L_{70}$  &  $L_{90}$  hours are IES TM-21-11 calculated hours.

### WARRANTY & LISTINGS

- cULus listed for wet locations in ambient temperatures from  $-20^{\circ}\text{C}$  to  $50^{\circ}\text{C}$  ( $-4^{\circ}\text{F}$  to  $122^{\circ}\text{F}$ ).
- IP65 rated for ingress protection.
- DLC premium approved.
- Complies with FCC Part 15, class B.
- Surge protection = 4kV.
- 5-year warranty of all electronics and housing.

### DIMENSIONS



Weight: 1.5 lbs

### ORDERING INFORMATION

Example: WPE-3L-LKFS

| Series | Nominal Lumen Output |              | Select |
|--------|----------------------|--------------|--------|
| WPE    | 3L                   | 3,000 lumens | LKFS   |

### ELECTRICAL DATA

| Series       | Measurements      | Low Lumens   |              |              | Mid Lumens   |              |              | High Lumens  |              |              |
|--------------|-------------------|--------------|--------------|--------------|--------------|--------------|--------------|--------------|--------------|--------------|
|              |                   | 3000K        | 4000K        | 5000K        | 3000K        | 4000K        | 5000K        | 3000K        | 4000K        | 5000K        |
| WPE-3L-LKFS  | Lumens            | 1939         | 2090         | 2105         | 2496         | 2709         | 2711         | 3070         | 3327         | 3325         |
|              | Watts             | 15           | 14           | 15           | 19           | 19           | 19           | 24           | 24           | 24           |
|              | Efficacy          | 132          | 145          | 143          | 129          | 143          | 140          | 126          | 140          | 137          |
|              | Input Current (A) | 120V = 0.13A | 120V = 0.12A | 120V = 0.13A | 120V = 0.16A | 120V = 0.16A | 120V = 0.16A | 120V = 0.20A | 120V = 0.20A | 120V = 0.20A |
| 240V = 0.06A |                   | 240V = 0.06A | 240V = 0.06A | 240V = 0.08A | 240V = 0.08A | 240V = 0.08A | 240V = 0.10A | 240V = 0.10A | 240V = 0.10A |              |
| 277V = 0.05A |                   | 277V = 0.05A | 277V = 0.05A | 277V = 0.07A | 277V = 0.07A | 277V = 0.07A | 277V = 0.09A | 277V = 0.09A | 277V = 0.09A |              |

### PHOTOMETRIC DATA

#### WPE-3L-LKFS

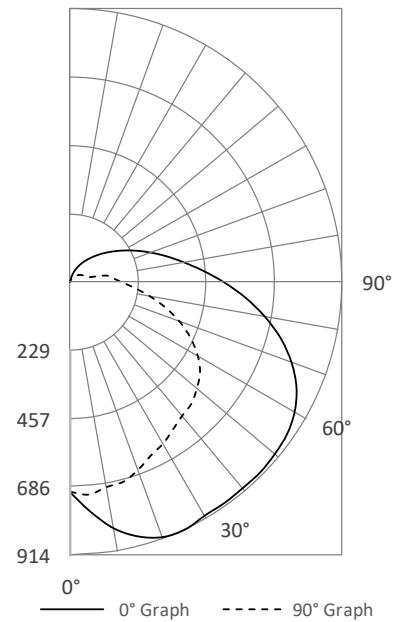
##### Luminaire Data

|                             |                                   |
|-----------------------------|-----------------------------------|
| Description                 | Economy Wall Pack<br>3L 5K - LKFS |
| Total Lumens                | 3,325                             |
| Input Wattage               | 24                                |
| Efficacy (lm/W)             | 137                               |
| Max. Cd.                    | 914.57 (360H, 24V)                |
| IES Classification          | Type IV                           |
| Longitudinal Classification | Very Short                        |

##### Luminaire Classification Systems (LCS)

| LCS Zone     |         | Lumens       | %Lum         |
|--------------|---------|--------------|--------------|
| FL           | 0-30    | 340          | 10.2%        |
| FM           | 30-60   | 887          | 26.7%        |
| FH           | 60-80   | 634          | 19.1%        |
| FVH          | 80-90   | 239          | 7.2%         |
| BL           | 0-30    | 192          | 5.8%         |
| BM           | 30-60   | 267          | 8.0%         |
| BH           | 60-80   | 112          | 3.4%         |
| BVH          | 80-90   | 34           | 1.0%         |
| UL           | 90-100  | 205          | 6.2%         |
| UH           | 100-180 | 415          | 12.5%        |
| <b>Total</b> |         | <b>3,325</b> | <b>99.9%</b> |
| BUG Rating   |         | B1-U3-G3     |              |

##### 180° Polar Graph



##### Zonal Lumen Summary

| Zone     | Lumens | %Fixt  |
|----------|--------|--------|
| 0-30°    | 532    | 16.0%  |
| 0-60°    | 1,686  | 50.7%  |
| 0-80°    | 2,433  | 73.2%  |
| 80-90°   | 273    | 10.1%* |
| 0-90°    | 2,705  | 81.4%  |
| 90-110°  | 353    | 10.6%  |
| 110-180° | 0      | 0.0%   |
| 0-180°   | 3,325  | 100.0% |

\* 80-90° glare zone is calculated by dividing the lumens in that zone by the lumen total in the 0-90° zone