

CWLEZXTEU Wet Location All LED Exit & Emergency Combo



Project:	
Type:	
Catalog #:	



STANDARD



OPTIONAL



ILLUMINATION

- Long lasting, efficient, ultra bright white LED lamp heads.
- 3.6W (3 LEDs x 1.2 watt) per head.
- Adjustable LED lamp heads provide optimal center-to-center spacing.
- Long-life, energy efficient Red or Green LED EXIT sign illumination.

ELECTRICAL

- Dual 120/277 voltage.
- Unique bi-color LED indicator light alerts occupant on battery condition (Green-normal, Red-check battery).
- 6V long life, maintenance free, rechargeable NiCd battery.
- Internal solid-state transfer switch automatically connects the internal battery to LED board and lampheads for minimum 90-minute emergency illumination.
- Fully automatic solid state, two rate charger initiates battery charging to recharge a discharged battery in 24 hours.

MOUNTING

- Die-cast aluminum mounting canopy included for top or end mount
- Universal K/O pattern on back plate for wall mount.

HOUSING

- 5VA flame retardant, UV stabilized polycarbonate in white, black or gray finish.
- High-impact resistant, UV stabilized polycarbonate clear lens.
- Corrosion resistant enclosure with engineering grade silicone gasket.
- Knockouts provided for conduit feed applications.
- EZ snap-out Chevron directional indicators.

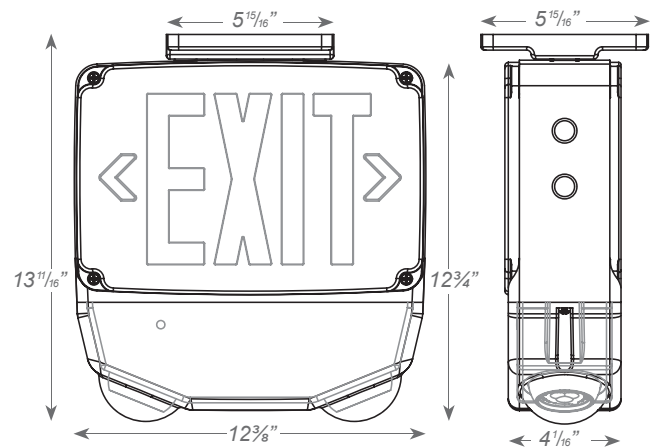
OPTIONS

- **CW:** Optional internal heater and battery blanket for extreme cold temperature applications (-20°C – 50°C).
- **RC:** Remote capacity of up to 7.2 watts.
- **SDT:** Self-diagnostic feature performs monthly, biannual, and annual tests to ensure reliable operation and meet electrical and life safety codes.
- **TP:** Tamper-proof hardware helps prevent unauthorized access to the unit.
- **Custom:** Signs available with requested "special" wording.

WARRANTY/LISTING

- Five year warranty on all electronics and housing. Battery prorated for five years.
- Meets UL924, NFPA 101 Life Safety Code, NEC, OSHA, Local and State Codes.
- UL listed for wet locations (0°C – 50°C).
- Certified to CEC under Title 20 Regulations.

DIMENSIONS



ORDERING INFORMATION

Sample Part Number: **CWLEZXTEU1RW**

MODEL	No. of FACES	LETTER COLOR	HOUSING COLOR	OPTIONS	
CWLEZXTEU	1	Single Face	R Red	W White	CW Cold Weather
	2	Double Face	G Green	B Black	RC Remote Capacity
			G Gray (with white faceplate)	SDT Self Diagnostics	
				TP Tamper Proof Screws	
				CUSTOM Custom Wording	

Project:	
Type:	
Catalog #:	

REMOTE LAMP COMPATIBILITY

Reference remote lamp head specification sheets for complete catalog number ordering information.

MODEL NUMBER	BATTERY	REMOTE CAPACITY	COMPATIBLE REMOTE HEAD FAMILY											
			MRHLED	RHLED	RH16LED	RH16		RH		RHR		SRH		SRHLED
				MV		6V	12V	6V	12V	6V	12V	6V	12V	
CWLEZXTE	6V	7.2W		X	X	X		X		X		X		X

CENTER-TO-CENTER SPACING GUIDELINES

For reference only.



1	0.30	0.43	0.59	0.76	0.98	1.22	1.37	1.37	1.21	0.97	0.74	0.70	0.75	0.92	1.09	1.13	1.04	0.89	0.68	0.50	0.34	0.24	0.20	0.14
2	0.36	0.50	0.77	1.02	1.26	1.51	1.69	1.60	1.43	1.15	0.89	0.83	0.93	1.20	1.51	1.67	1.57	1.33	1.03	0.71	0.52	0.35	0.24	0.18
3	0.43	0.60	0.82	1.20	1.51	1.77	1.90	1.84	1.53	1.20	0.95	0.89	1.03	1.44	1.78	1.93	1.84	1.50	1.15	0.78	0.55	0.38	0.27	0.20
4	0.42	0.60	0.85	1.13	1.44	1.70	1.82	1.70	1.38	1.12	0.89	0.87	1.05	1.50	1.83	2.09	2.00	1.68	1.26	0.94	0.66	0.40	0.31	0.23
5	0.44	0.61	0.80	1.06	1.29	1.45	1.50	1.40	1.12	0.96	0.78	0.78	0.97	1.34	1.70	1.93	1.87	1.61	1.25	0.91	0.67	0.48	0.32	0.23
6	0.37	0.54	0.69	0.86	1.05	1.10	1.12	1.04	0.87	0.70	0.62	0.64	0.80	1.06	1.34	1.58	1.55	1.37	1.12	0.90	0.68	0.50	0.34	0.24

Meets NFPA 101 Requirements for: 24'+ center-to-center spacing - 6'+ path of egress 0' from wall - 9' mounting height.

ELECTRICAL INFORMATION

CATALOG NUMBER	INPUT WATTS (W)				INPUT AMPS (A)			
	120V		277V		120V		277V	
CWLEZXTEU-R	5.7		5.7		0.057		0.024	
CWLEZXTEU-R-CW	5.7	33.3*	5.7	146.9*	0.057	0.286*	0.024	0.535*
CWLEZXTEU-R-RC	9.0		9.0		0.082		0.034	
CWLEZXTEU-R-RC-CW	9.0	35.0*	9.0	148.5*	0.082	0.300*	0.034	0.540*
CWLEZXTEU-R-SDT	7.0		7.0		0.063		0.030	
CWLEZXTEU-R-CW-SDT	7.0	33.6*	7.0	147.2*	0.063	0.288*	0.030	0.536*
CWLEZXTEU-R-RC-SDT	9.7		9.7		0.088		0.039	
CWLEZXTEU-R-RC-CW-SDT	9.7	35.3*	9.7	148.8*	0.088	0.302*	0.039	0.541*
CWLEZXTEU-G	5.7		5.7		0.057		0.024	
CWLEZXTEU-G-CW	5.7	33.3*	5.7	146.8*	0.057	0.286*	0.024	0.534*
CWLEZXTEU-G-RC	9.0		9.0		0.082		0.034	
CWLEZXTEU-G-RC-CW	9.0	34.9*	9.0	148.5*	0.082	0.299*	0.034	0.540*
CWLEZXTEU-G-SDT	7.0		7.0		0.063		0.030	
CWLEZXTEU-G-CW-SDT	7.0	33.6*	7.0	147.1*	0.063	0.288*	0.030	0.535*
CWLEZXTEU-G-RC-SDT	9.7		9.7		0.088		0.039	
CWLEZXTEU-G-RC-CW-SDT	9.7	35.2*	9.7	148.8*	0.088	0.301*	0.039	0.541*

*At extreme temperatures, with the heater activated