

# HPRL High-Power LED Outdoor Polycarbonate Remote Head



<b>Project:</b>	
<b>Type:</b>	
<b>Catalog #:</b>	

STANDARD



## ILLUMINATION

- Ultra-bright, energy efficient, long-life White LED adjustable lamp heads provide up to 100-ft center-to-center spacing with a 6-ft path of egress at 15-ft mounting height.
- 6.0 watt (12 LEDs x 0.50 watt) per head.
- Adjustable glare-free PAR-Type lamp heads with all-inclusive lamp, reflector and lens assembly.

## ELECTRICAL

- Powered from low voltage (5-15VDC) power source with low voltage wiring (not provided).

## MOUNTING

- Universal mounting adapter plate included. Mounts to single-gang switch box.
- Distance of maximum run is determined by system voltage, wire gauge and total maximum wattage on the run.
- Suitable for wall or ceiling mount.

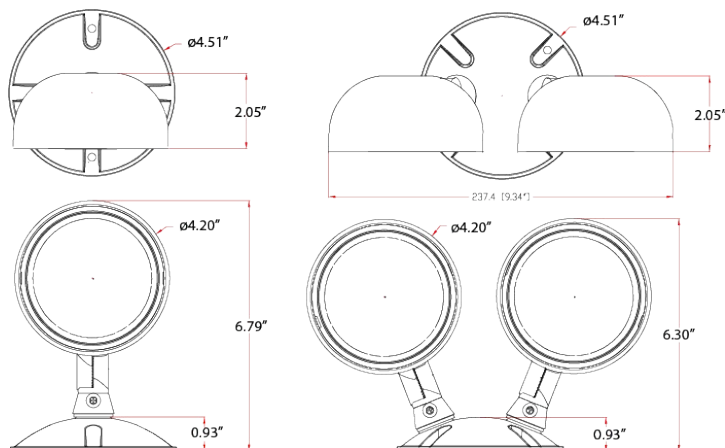
## HOUSING

- Available in engineering grade, Impact-resistant polycarbonate housing.
- Sealed and gasketed in standard gray or black finish.

## WARRANTY / LISTING

- Five year warranty.
- UL Listed for wet locations (-30°C – 50°C).
- Meets UL924, NFPA 101 Life Safety Code, NEC, OSHA, Local and State Codes.

## DIMENSIONS



## FIXTURE COMPATIBILITY LIST

Reference individual unit equipment specification sheets for remote load capacity availability.

BEST LIGHTING MODEL TYPE		
CALEDCXTE-RC	CWLEZXTE-RC	INDCWLEZ
HLCWLEZ	LEDSDXR627	HLEMR
INDEMR	NYDXR	RMR-16-65/125
LEDXR		

## ORDERING INFORMATION

Sample Part Number: **HPRL1-WP**

MODEL	No. of HEADS	COLOR		HOUSING
HPRL	1	Single Head	(blank) Gray	WP Polycarbonate (Standard)
	2	Double Head	B Black	