

LEDXR LED High Output Industrial Emergency Unit



Project:	
Type:	
Catalog #:	

STANDARD



ILLUMINATION

- Ultra-bright, energy efficient, long-life White LED adjustable lamp heads provide up to 100-ft center-to-center spacing with a 6-ft path of egress at 15-ft mounting height.
- 6.0 watt (12 LEDs x 0.50 watt) per head.
- Adjustable glare-free PAR-Type lamp heads with all-inclusive lamp, reflector and lens assembly.

ELECTRICAL

- Dual 120/277 voltage.
- Charge rate/power "ON" LED indicator light and push-to-test switch for mandated code compliance testing.
- LVD (low voltage disconnect) prevents battery from deep discharge.
- 6V/12V maintenance-free, rechargeable sealed lead acid battery.
- Offers 38.0Wh, and 88.0Wh of remote capacity (6V/12V DC output) standard on the 50W, and 100W models.
- Internal solid-state transfer switch automatically connects the internal battery to lamp heads for minimum 90-minute emergency illumination.
- Fully automatic solid-state, two rate charger initiates battery charging to recharge a discharged battery in 24 hours.

MOUNTING

- Knockouts on the back for wall mount.
- Side and top knockouts for conduit feed applications.

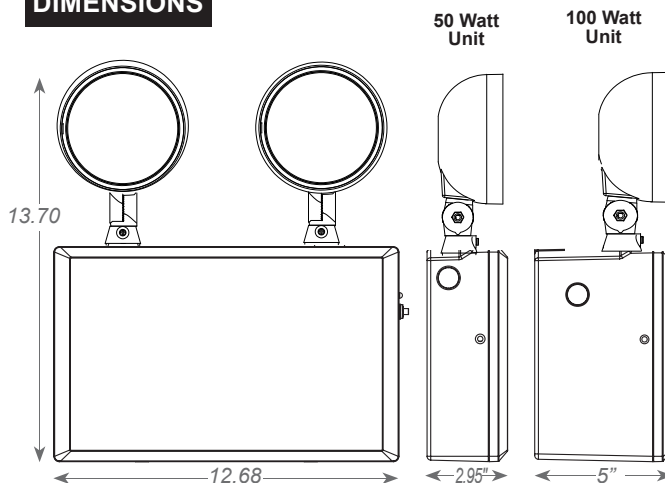
HOUSING

- Injection-molded, engineering grade, 5VA flame retardant, high-impact thermoplastic construction.

WARRANTY / LISTING

- Five year warranty on all electronics and housing. Battery pro rated for two years.
- Meets UL924, NFPA 101 Life Safety Code, NEC, OSHA, Local and State Codes.
- UL Listed for damp locations (20°C – 40°C).

DIMENSIONS



ORDERING INFORMATION

Sample Part Number: **LEDXR65**

MODEL	VOLTAGE		CAPACITY		HOUSING COLOR	
	LEDXR	6	6 Volts	5	50 Watt	(blank)
	12	12 Volts	10	100 Watt	B	Black

Project:	
Type:	
Catalog #:	

ELECTRICAL INFORMATION

CATALOG NUMBER	INPUT WATTS (W)		INPUT AMPS (A)	
	120V	277V	120V	277V
LEDXR65	16.0	16.0	0.15	0.06
LEDXR610	30.0	30.0	0.28	0.12
LEDXR125	16.0	16.0	0.15	0.06
LEDXR1210	30.0	30.0	0.28	0.12

REMOTE LAMP COMPATIBILITY

MODEL NUMBER	BATTERY	REMOTE CAPACITY	COMPATIBLE REMOTE HEAD FAMILY			
			HPRL	RHLED-MV	RH16LED	SRHLED
LEDXR65	6V	38W	X	X	X	X
LEDXR610	6V	38W	X	X	X	X
LEDXR125	12V	88W	X	X	X	
LEDXR1210	12V	88W	X	X	X	