

PELX Economy Plastic Edgelit Exit Sign



Project:	
Type:	
Catalog #:	



STANDARD



ILLUMINATION

- Ultra bright, energy efficient, long life Red or Green LEDs.
- UV-stabilized acrylic edgelit panel provides consistent, uniform illumination.
- Universal Single/Double face utilizes factory installed silver mylar background panel and stick-on mylar sheet.

ELECTRICAL

- Dual 120/277 voltage standard.
- Charge rate/power "ON" LED indicator light and push-to-test switch for mandated code compliance testing.
- 3.6V long life, maintenance-free, rechargeable NiCd battery (EM models only).
- Internal solid-state transfer switch automatically connects the internal battery to LED board for minimum 90-minute emergency illumination.
- Fully automatic solid-state, two rate charger initiates battery charging to recharge a discharged battery in 24 hours.
- Unique bi-color LED indicator light alerts occupant on battery condition (Green - normal, Red - check battery).

HOUSING

- Injection-molded, engineering grade, 5VA flame retardant, high-impact resistant, thermoplastic in white, black or silver powder-coated finishes.
- Thermoplastic recessed-mount trim assembly is easily detachable from below, providing access to the housing. Available in white, black or silver powder-coated finishes.
- Self-adhesive Chevron appliques and guide template provided for directional indication.

MOUNTING

- Plastic mounting canopy included for top, end or back mount of the Surface-version sign.
- Accessory offered (order separately) for a quick surface to recessed mount conversion in the field
- Bar hangers included with Recessed-version for drywall or drop ceiling mount installations.

WARRANTY / LISTING

- Five year warranty on all electronics and housing. Battery prorated for five years.
- Meets UL924, NFPA 101 Life Safety Code, NEC, OSHA, Local and State Codes.
- UL Listed for damp locations (0°C – 50°C).
- Certified to CEC under Title 20 Regulations.

ELECTRICAL INFORMATION

CATALOG NUMBER	INPUT WATTS (W)		INPUT AMPS (A)	
	120V	277V	120V	277V
PELX	1.3	1.3	0.17	0.17

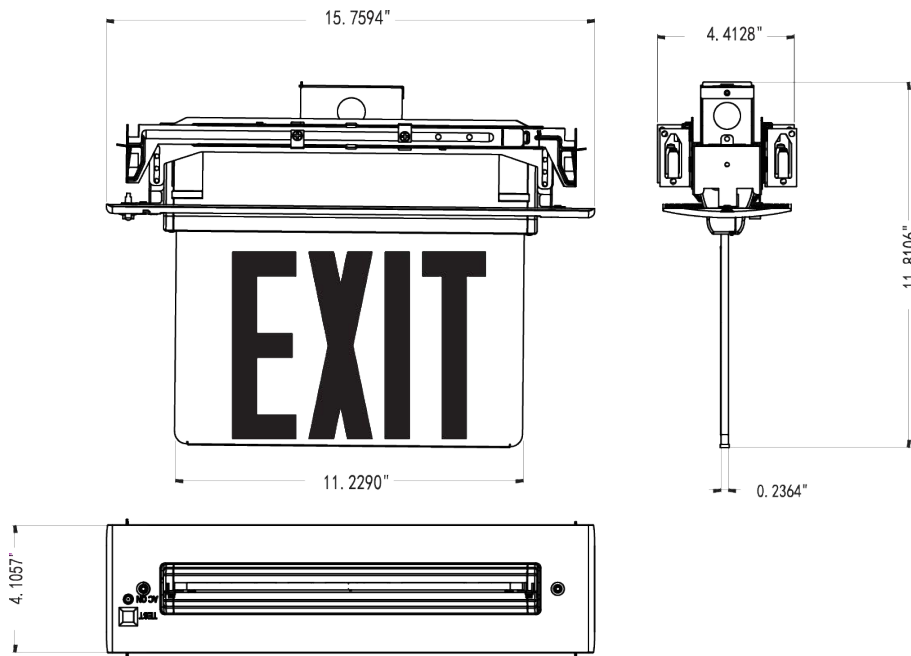
ORDERING INFORMATION

Sample Part Number: **PELXRMWEM**

MODEL	No. of FACES	LETTER COLOR	PANEL	HOUSING COLOR	BATTERY	ACCESSORIES (order separately)
PELX	(blank) Universal Single/Double Face	R Red G Green RG Red/Green	M Mirror	W White B Black S Silver	(blank) AC-Only EM Battery Backup	PREL-KIT Recessed-mount Conversion kit

DIMENSIONS

Recessed-mount version:



Surface-mount version:

