

<b>Project:</b>	
<b>Type:</b>	
<b>Catalog #:</b>	



## STANDARD



## ILLUMINATION

- Kits easily convert incandescent exit signs into energy efficient LED EXIT signs.
- Ultra bright, long life Red or Green LED.

## ELECTRICAL

- 120 voltage only.
- Energy usage of 2.2W per kit.

### Savings:

	INCANDESCENT	GREEN LED KIT	RED LED KIT
EXIT Energy Use	30W (15W lamp x 2)	1.4W (0.7W LED's x 2)	2.2W (1.1W LED's x 2)
"ON" Hours / Year	8760	8760	8760
Price / Kilowatt Hour	\$ 0.104	\$ 0.104	\$ 0.104
Energy Usage / Year	262,800 Watts	12,264 Watts	19,272 Watts
Annual Cost	\$ 27.33	\$ 1.28	\$ 2.00
Watt Savings / Year		250,536	243,528
Annual Savings		\$ 26.05	\$ 25.33

Example based on 9¢/KWhr

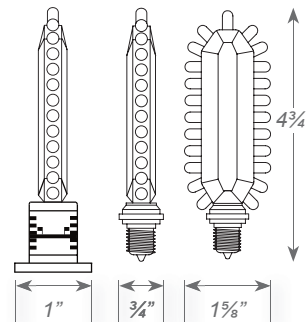
## MOUNTING

- Kits are supplied with socket adapters for installation in signs with bayonet, intermediate or candelabra bases.

## WARRANTY / LISTING

- Five year warranty.
- Meets UL924, NFPA 101 Life Safety Code, NEC, OSHA, Local and State Code.

## DIMENSIONS



## ORDERING INFORMATION

MODEL	KIT
RFXTE-3	Red Screw-in Kit
GFXTE-3	Green Screw-in Kit

Sample Part Number: **RFXTE-3**