

<b>Project:</b>	
<b>Type:</b>	
<b>Catalog #:</b>	

### STANDARD



### OPTIONAL



### ILLUMINATION

- Long lasting, efficient, ultra bright white LED lamp heads.
- 1.0W (1 LEDs x 1.0 watt) per head.
- Adjustable LED lamp heads provide up to 18-ft center-to-center spacing with 3-ft path of egress at 7.5-ft mounting height.
- Long-life, energy efficient Red or Green LED EXIT sign illumination.

### ELECTRICAL

- Dual 120/277 voltage.
- Unique LED indicator light alerts occupant on battery condition (Red-normal, Off-check battery).
- 3.6V long life, maintenance free, rechargeable NiCd battery.
- Internal solid-state transfer switch automatically connects the internal battery to LED board and lampheads for minimum 90-minute emergency illumination.
- Fully automatic solid state, two rate charger initiates battery charging to recharge a discharged battery in 24 hours.
- Charge rate/power "ON" LED indicator light and push-to-test switch for mandated code compliance testing

### HOUSING

- 5VA flame retardant, UV stabilized polycarbonate in white, black or gray finish.
- High-impact resistant, UV stabilized polycarbonate clear lens.
- Corrosion resistant enclosure with engineering grade silicone gasket.
- Knockouts provided for conduit feed applications.
- EZ snap-out Chevron directional indicators.

### MOUNTING

- Polycarbonate mounting canopy included for top or end mount
- Universal K/O pattern on back plate for wall mount.

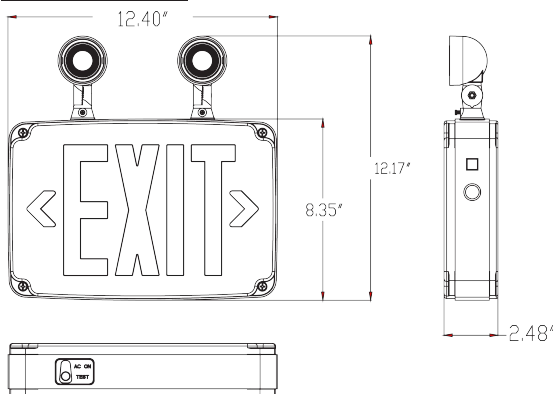
### OPTIONS

- CW: Optional high capacity battery for extreme cold temperature applications (-20°C – 50°C).
- RC: Remote capacity of up to 2.0 watts.
- TP: Tamper-proof hardware helps prevent unauthorized access to the unit.

### WARRANTY/LISTING

- Five year warranty on all electronics and housing. Battery prorated for five years.
- Meets UL924, NFPA 101 Life Safety Code, NEC, OSHA, Local and State Codes.
- UL listed for wet locations (0°C – 50°C).
- Certified to CEC under Title 20 Regulations.

### DIMENSIONS



### ORDERING INFORMATION

Sample Part Number: **WLCEM1RGW**

MODEL	No. of FACES	LETTER COLOR	HOUSING COLOR	OPTIONS
WLCEM	1	Single Face	RG Red/Green (Field-selectable)	W White
	2	Double Face		B Black
	(blank)	Universal Single/Double Face		G Gray (with white faceplate)
				CW Cold Weather <sup>1</sup>
				RC Remote Capacity <sup>1</sup>
				TP Tamper Proof Screws

Note:  
<sup>1</sup> Not available together

## ELECTRICAL INFORMATION

CATALOG NUMBER	INPUT WATTS (W)		INPUT AMPS (A)	
	120V	277V	120V	277V
WLCEM	1.1	1.1	0.12	0.12

## REMOTE LAMP COMPATIBILITY

MODEL NUMBER	BATTERY	REMOTE CAPACITY	COMPATIBLE REMOTE HEAD FAMILY	
			RHLED	MRHLED
WLEM-RC	3.6V	2.0W	X	X